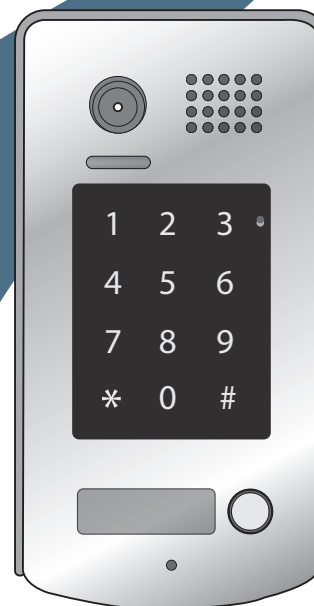


USER MANUAL (English)

VIDEO DOOR PHONE SYSTEM

Item No. : 13507, 13508



The design and specifications can be changed without notice to users.
Copyright of this manual is reserved.

Version 2.0.1.1.8.17

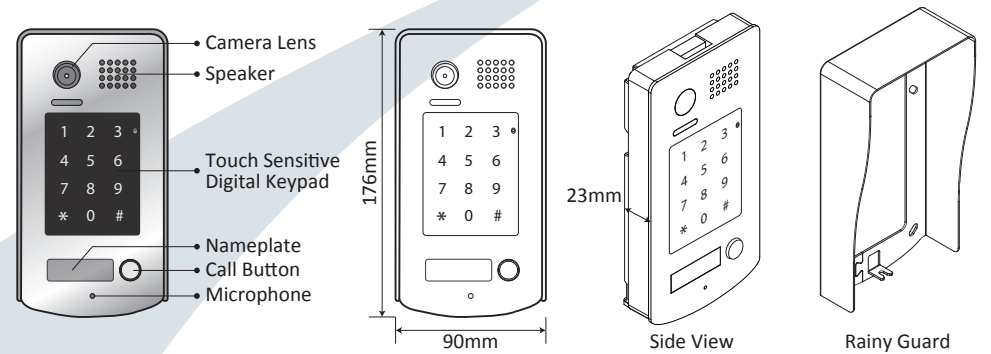
ENTRY VUE
video intercom systems

CONTENTS

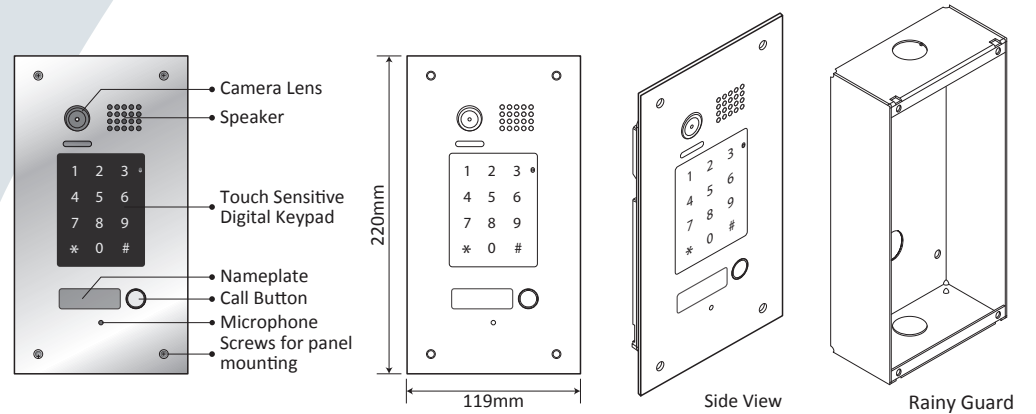
1. Parts and Functions	1
2. Mounting and Setting	2
2.1 Door station Mounting	2
3. Terminal Descriptions	4
4. System Wiring and Connections	5
4.1 Basic Connection	5
4.2 Electric Lock Connection	5
4.2.1 Door Lock Controlled with Internal Power	5
4.3 Electromagnetic Lock Connection	6
4.3.1 Door Lock Controlled with Internal Power	6
4.3.2 Door Lock Controlled with Dry Contact	6
4.3.3 Unlock parameter setting (set in monitor)	7
4.4 Multi Door Stations Connection	8
4.5 Multi Monitors Connection	9
5. DIP Switches Setting	10
5.1 DIP Switches Settings of Doorstation	10
5.2 DIP Switches Settings of Monitor	10
6. Functions Setting Up	11
7. Unlock Operations	17
7.1 Unlocking user code	17
8. Power Supply Instructions	18
9. Precautions	18
10. Specifications	18

1. Parts and Functions

1.1 Door Station E



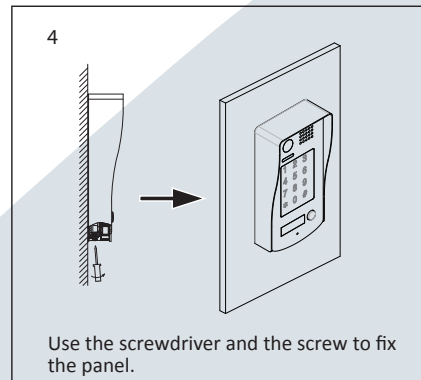
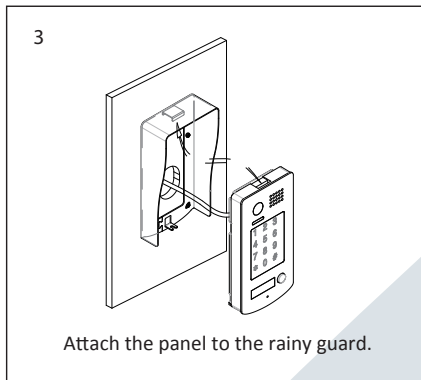
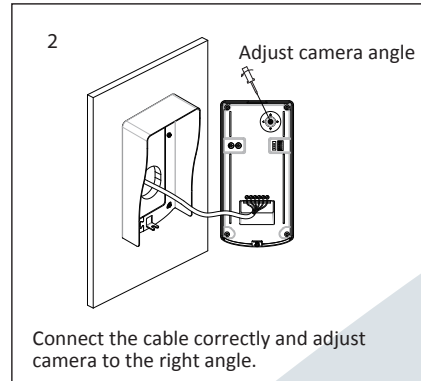
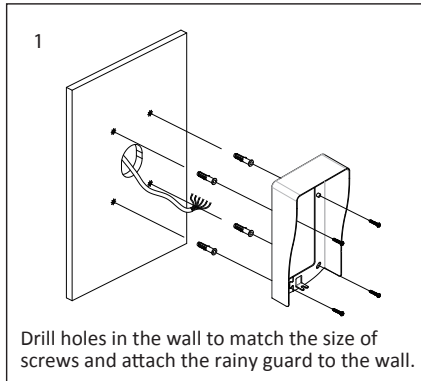
1.2 Door Station F



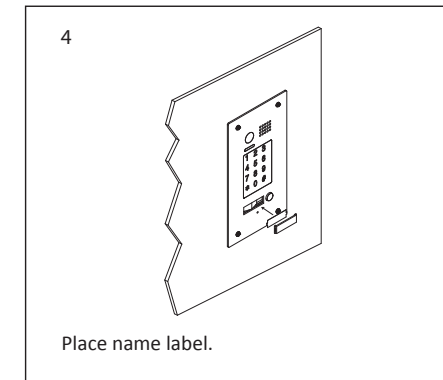
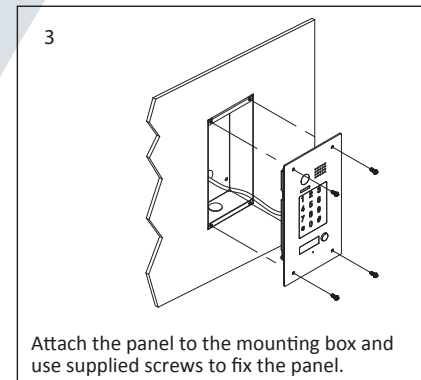
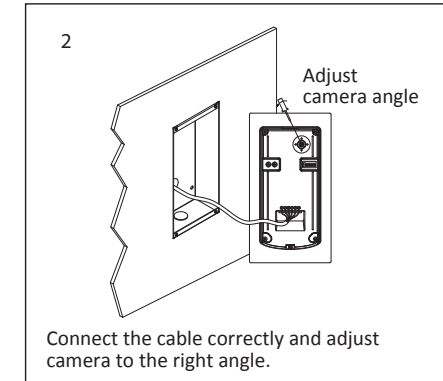
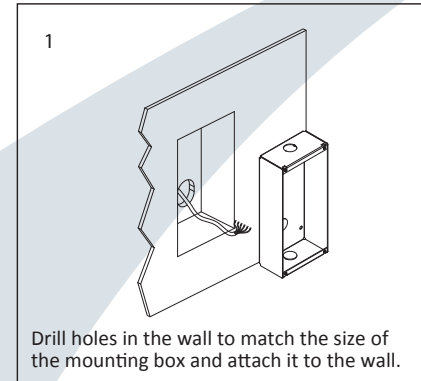
2. Mounting and Setting

2.1 Door Station Mounting

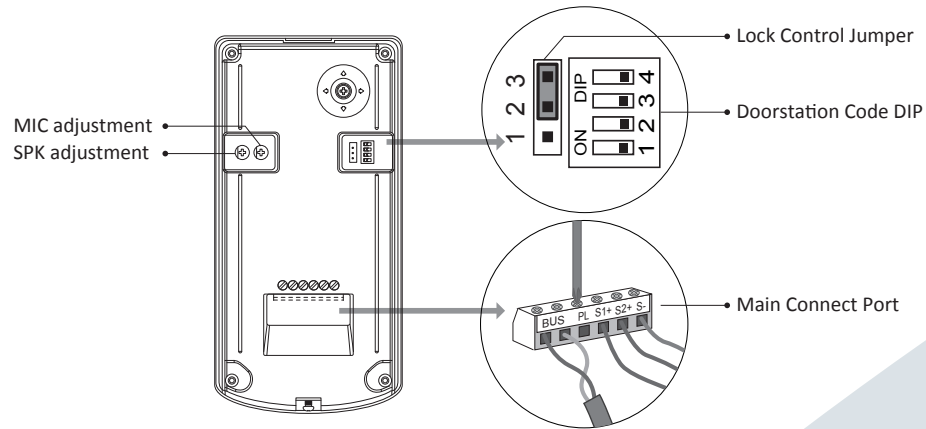
Door Station E Mounting



Door Station F Mounting



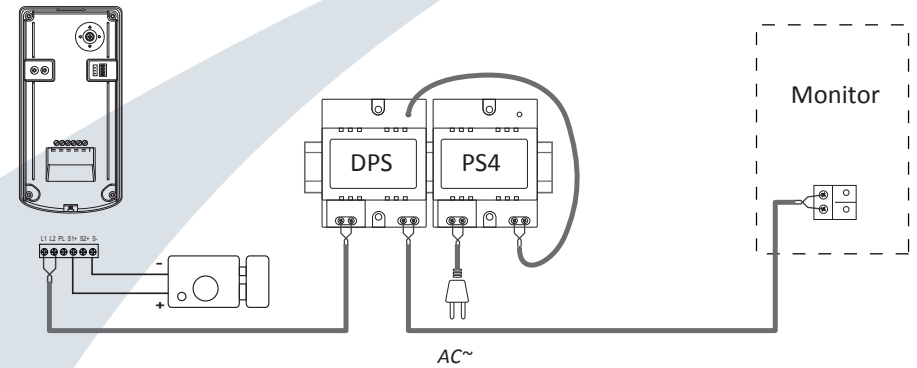
3. Terminal Descriptions



- Lock Control Jumper: To select the lock type: see section 5
- Doorstation Code DIP: It supports total 4 door stations, see section 6
- MIC: Adjust the volume of Microphone
- SPK: Adjust the volume of Speaker
- Main Connect Port: To connect the bus line and the electronic locks.
- BUS: Connect to the bus line, no polarity.
- PL: External lock power input, connect to the power positive (power +).
- S1+, S2+: Lock power(+) output, to connect 2 locks.
- S-: Lock power(-) output, connect to the power(-) input of locks (only when using the camera to power the locks, if using the external power supply for the locks, the S- should not be connected).

4. System Wiring and Connections

4.1 Basic Connection

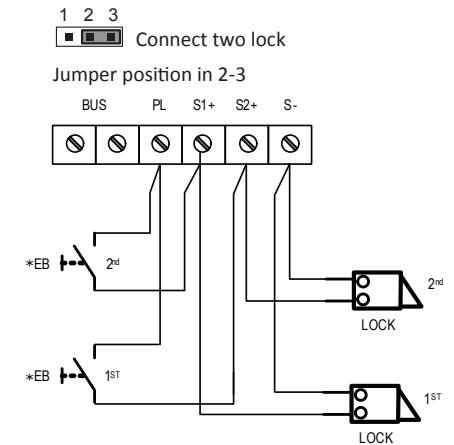
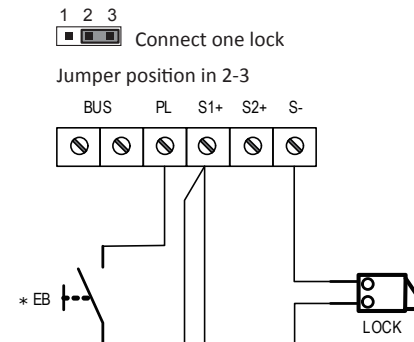


4.2 Electric Lock Connection

4.2.1 Door Lock Controlled by Internal Power

Note:

1. Only applicable to the power on to unlock type of electronic locks.
2. The door lock is limited to 12V, and holding current must be less than 250mA.
3. The door lock control is not timed from Exit Button (EB).
4. The Unlock Mode Parameter of Monitor must be set to 0 (by default).

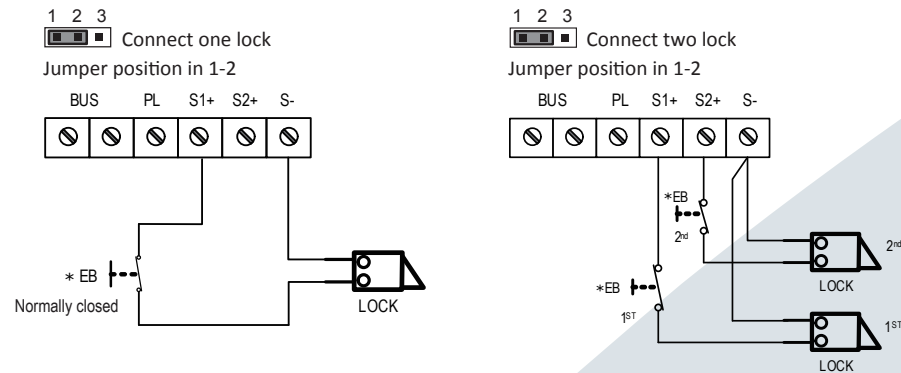


4.3 Electromagnetic Lock Connection

4.3.1 Door Lock Controlled by Internal Power

Note:

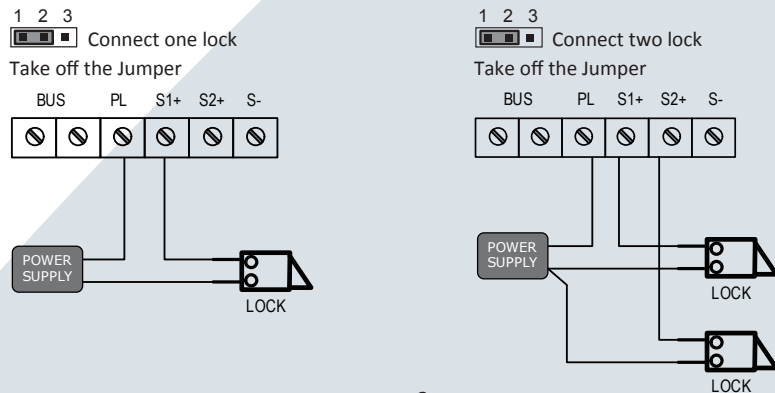
1. Only applicable to the power off to unlock type of electronic locks.
2. The door lock is limited to 12V, and holding current must be less than 250mA.
3. The door lock control is not timed from Exit Button(EB).
4. The **Unlock Mode** Parameter of Monitor must be set to 1 (by default).



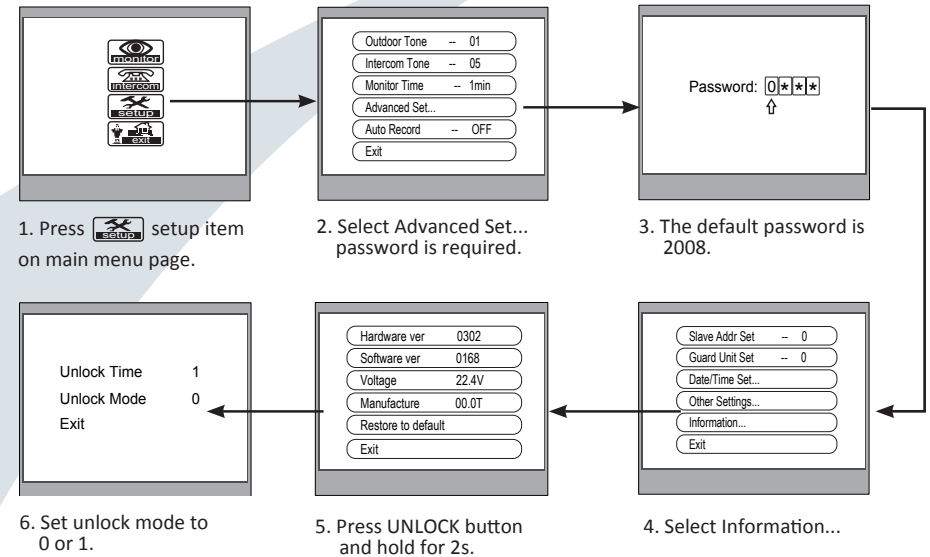
4.3.2 Door Lock Controlled by Dry Contact

Note:

1. The external power supply must be used according to the lock.
2. The inside relay contact is restricted to AC or DC 24V/3A.
3. The jumper must be taken off before connecting.
4. Setup the **Unlock Mode** of Monitor for different lock types.
 - Power-on-to-unlock type:Unlock Mode=0 (by default)
 - Power-off-to-unlock type:Unlock Mode=1



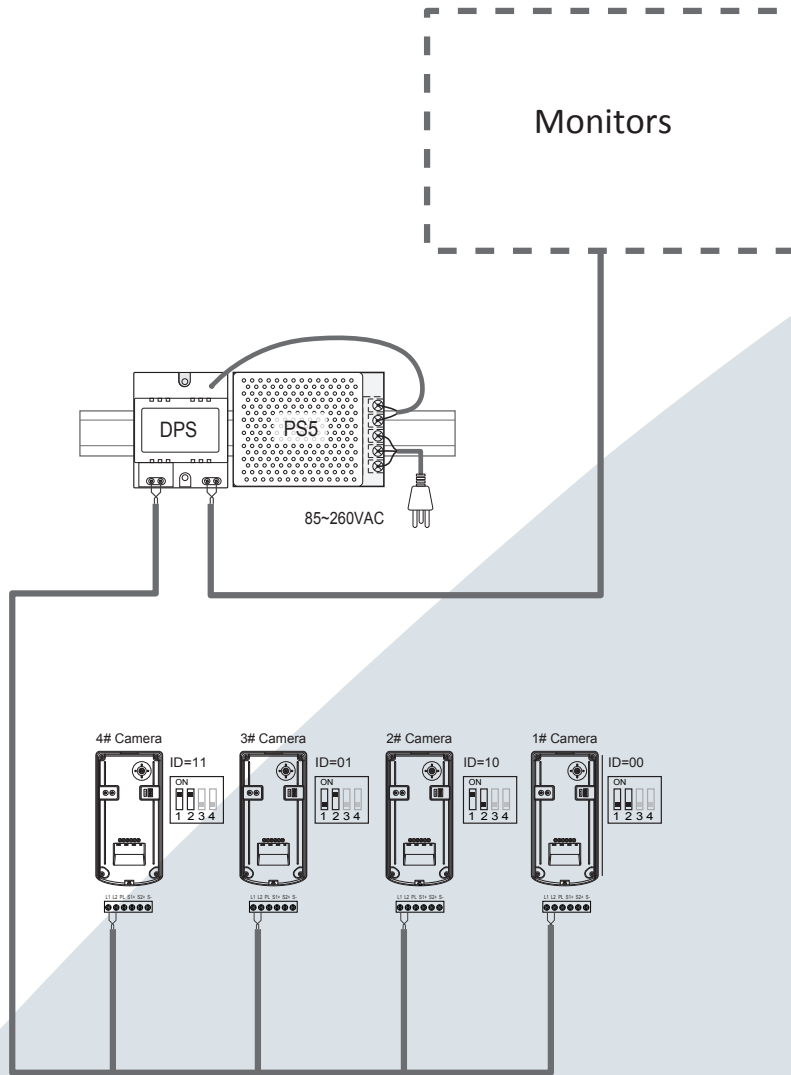
4.3.3 Unlock parameter setting(set in monitor)



Note:

1. Must connect DT596 correctly before setting.
2. The parameter will be saved in DT596 automatically,so you only need to set on one monitor.
3. The above cutline is fit for T107 series monitors only,for T753,T863 series monitors,please refer to the corresponding user manuals.

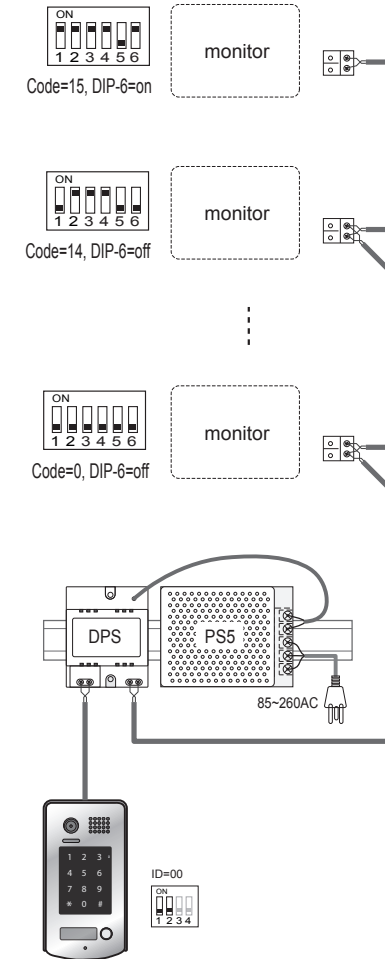
4.4 Multi Door Stations Connection



4.5 Multi Monitors Connection

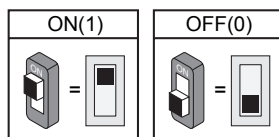
Basic IN-OUT Wiring Mode

Attention: You must follow the dip switch settings in the table on page 10. So, 1st monitor all switches down, 2nd monitor switch 1 up, 3rd monitor switch 2 up, etc.





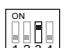



5. DIP Switch Setting

5.1 DIP Switch Settings of Door Station





Total 4 bits on the DIP switches can be configured. The switches can be modified either before or after installation.







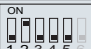



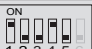

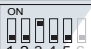



Setting Item	Bit State	Descriptions
Bit1 and Bit2 (it is used to set the ID code for door station)		Default setting, ID = 0(00), set to the first Door Station.
		ID = 1(10), set to the second Door Station.
		ID = 2(01), set to the third Door Station.
		ID = 3(11), set to the fourth Door Station.
Bit3		Activate external output setting, the relay 2 terminal doesn't respond to the second lock and will be closed for 60 seconds when the "Lockout" is carried out. The alarm connected to the terminal of relay 2 will be activated.
		inactivate
Bit4		Reserve

5.2 DIP Switches Settings of Monitor

There are 6 bit switches in total. The DIP switches are used to configure the User Code for each Monitor. Bit-6 is line terminal switch, which needs to be set to ON if the Monitor is in the end of the bus, otherwise set to OFF.

Bit state	Setting	Bit state	Setting
	The monitor is not at the end of the bus.		The monitor is at the end of the bus.

Bit-1 to Bit-5 are used for User Code setting. The DT596 responds to 0~15.

BIT STATE	USER CODE	BIT STATE	USER CODE	BIT STATE	USER CODE
	Code=0		Code=6		Code=11
	Code=1		Code=7		Code=12
	Code=2		Code=8		Code=13
	Code=3		Code=9		Code=14
	Code=4		Code=10		Code=15
	Code=5				

6. Functions Setting Up

This section explains the settings of each function, please refer to the following table:

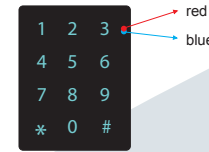
About the setting mode:

Input the master code to switch the setting mode, and input the corresponding setting code to perform the function you want. After settings have been made, input the following setting codes to continue the setting operation. Press "*" to exit the setting mode.

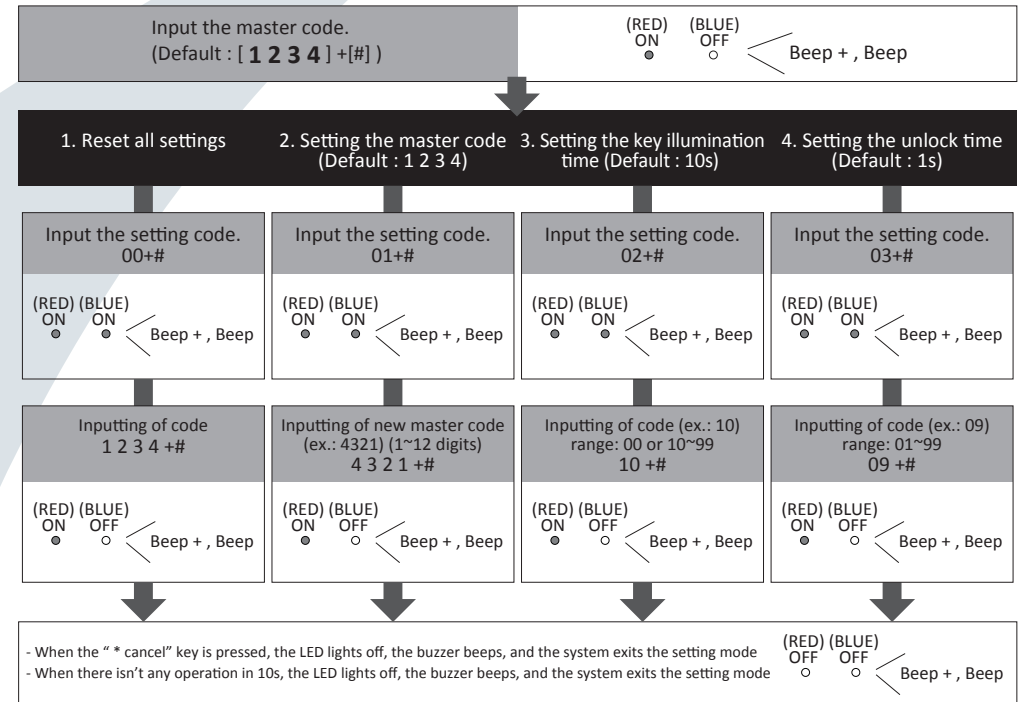


- The example is set as cancel button and # as confirm button, please refer to */# function setting for detail information.
- No slide-touching the digital keypad, it may cause mistaken recognition of keys being pressed, the correct operation is using your finger to press the digit you desired.
- You should press "confirm" button after finish inputting the code number each time, otherwise, the operation will be cancelled automatically in 10s.

ORDER	SETTING ITEMS	SETTING RANGE	DEFAULT VALUE	SETTING CODE
1	Reset all settings	1, 2, 3, 4	-	00
2	Setting the master code	1 - 12 digits Valid keys: 0 - 9	1, 2, 3, 4	01
3	Setting the key illumination time	10 to 99 seconds / permanently lit	10 seconds	02
4	Setting the unlock time	01 to 99 seconds	1 seconds	03
5	Setting the unlock mode	0: opened/ 1: closed	opened	04
6	Operation tone settings	0: on/ 1: off	on	05
7	Reset code settings	1, 2, 3, 4	-	06
8	*&# function settings	0: Normal / 1: Reverse	Normal	07
9	Call tone settings	0: Enable / 1: Disable	Enable	08
10	Interference resistant grade settings	Valid keys: 0 - 5	2	09
11	Reserve (not used)	Reserve	Reserve	10 - 17
12	Setting the code for Temporary 1	1 - 12 digits Valid keys: 0 - 9	-	18
13	Setting the code for Temporary 2	1 - 12 digits Valid keys: 0 - 9	-	19
14	Setting the code for user group 1	1 - 12 digits Number of codes: 40 Valid keys: 0 - 9	-	20 - 59
15	Setting the code for user group 2	1 - 12 digits Number of codes: 40 Valid keys: 0 - 9	-	60 - 99



Each operation is indicated by the lighting up of the LED indicators on the right section of the unit, and by the sound of the buzzer.



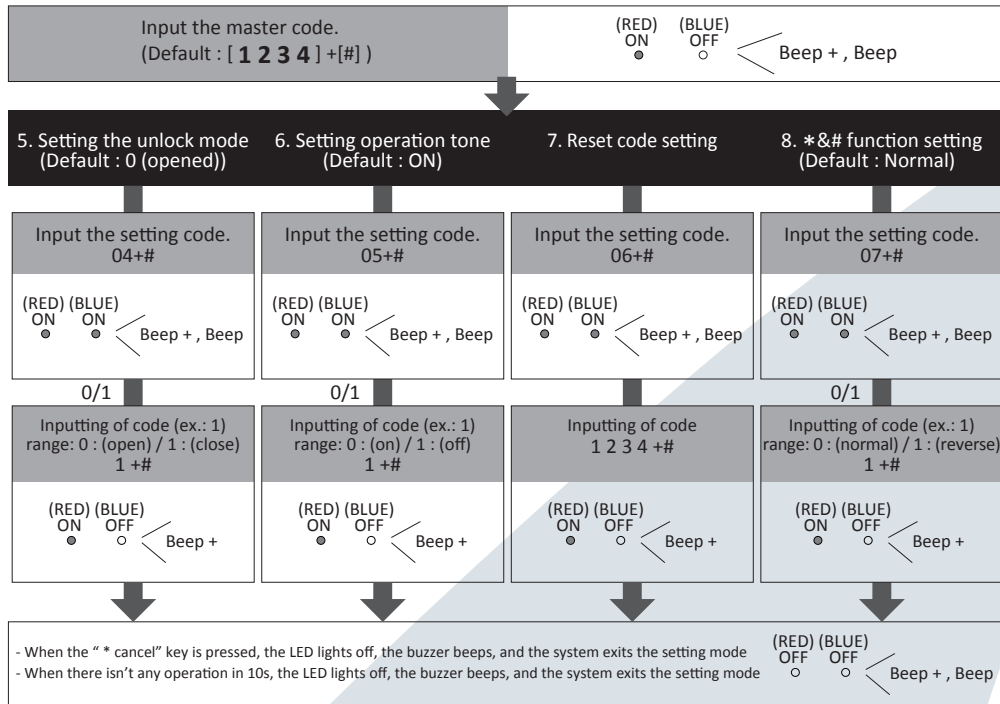
- All settings will be restored to their default value.

- When power on or rest of all settings is being activated, the keypad checking will start, meanwhile the illumination keys will flash, any contact of the keypad is forbidden. After finishing checking, the key will stop flashing and give out a long sound of beep.

- The master code is valid with 1~12 digits, the same code cannot be used both the user code and the master code, it is recommended that you modify the default master code.

- If the key illumination time is set to 00, the key will light up permanently when power on.
- If the key illumination time is set to 10~99, the key will light up for 10~99 seconds. In this mode, the light of the keys will be key off in standby mode, touching any invalid digital key can result in illuminate of key.

- The unlock time can be set on both monitor and door station, and the valid code is the number you set last time.



- The unlock mode can be set on both monitor and door station, and the valid code is the number you set last time.

- When the operation tone is set to 0, pressing the digital keypad will give out a sound of beep.

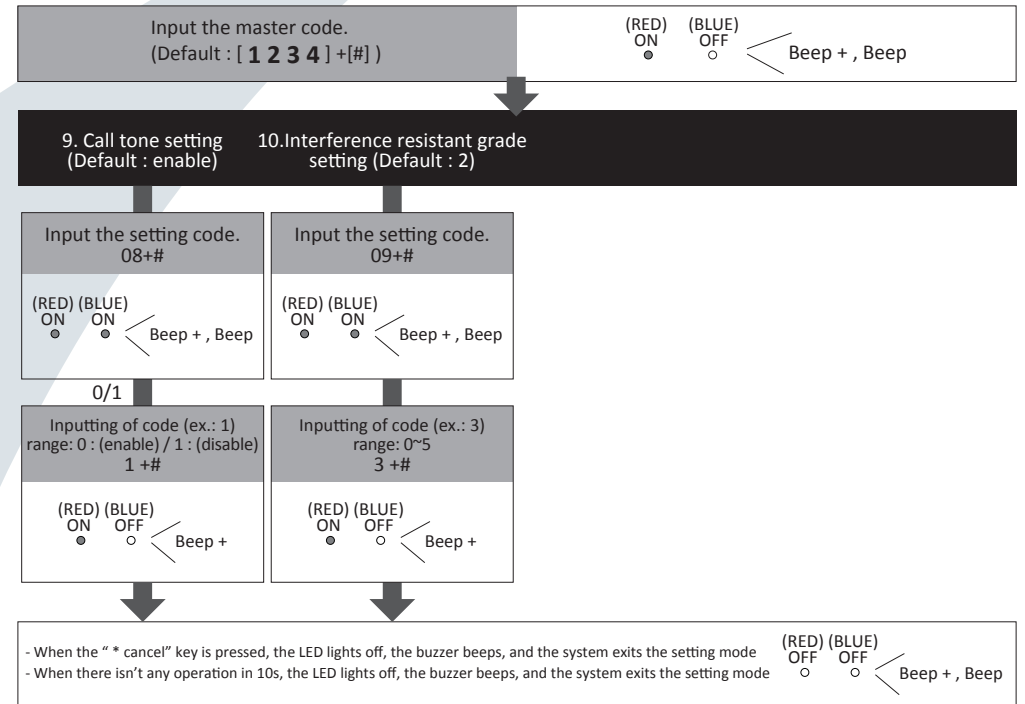
- When the operation tone is set to 1, pressing the digital keypad will result in flashing once.

- Cancel all the passwords except the master code.

- Restore the master code to default value (1,2,3,4).

- When the item is set to 0, press the button to cancel the input, and press the # button to confirm the input.

- When the item is set to 1, press the # button to cancel the input, and press the button to confirm the input.



- If the item is set to 0, the unit will respond a call tone when pressing the "CALL" button.

- If the item is set to 1, the unit will have no responds when pressing the "CALL" button.

- The larger you set the interference resistant grade, the stronger it will be, but the sensitivity of the keypad will be lower.

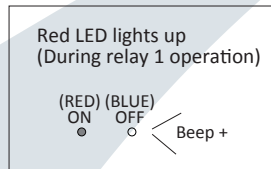
- The interference resistant grade setting also will activate the keypad checking.

7. Unlock Operations

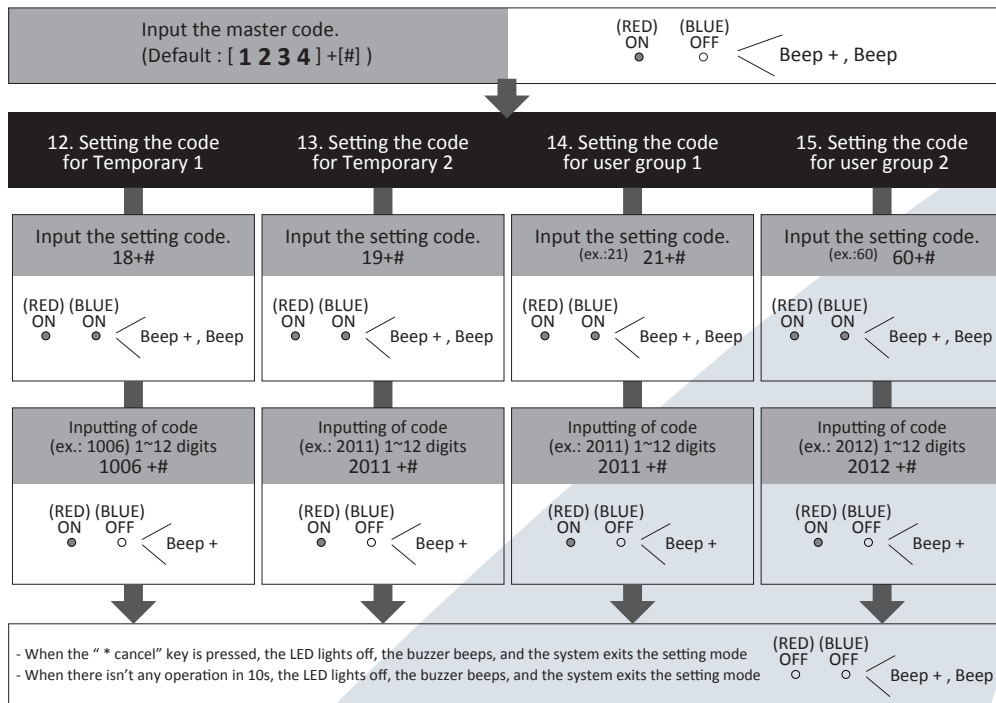
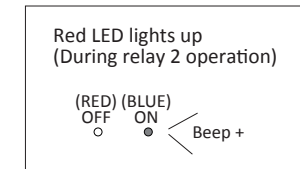
7.1 Unlocking user code

When the registered user code has been input using the keypad (1~12 digits), the LED indicator (group 1: red, group 2: blue) lights up, the buzzer sounds, and the electric door strike is unlocked.

Example : Group 1
2011



Example : Group 2
2012



- When input the correct temporary password to release the door, the system will clear the temporary password after 60 seconds automatically. But you should know that the password is valid within 60 seconds after inputting the correct temporary password

- The temporary 1 is used to release the first lock, and the temporary 2 is used to release the second lock.

- If the password length exceeds 12 digits, the system will give out of "beep,beep,beep,beep", and the digits you input before will be cleared at the same time.

- The temporary code can not be set the same as the master code and user code.

- The user code group 1 is used to release the first lock, and the user code group 2 is used to release the second lock.

- The user code group 1 and user code group 2 can contain 40 group passwords.

- If the password length exceeds 12 digits, the system will give out the sound of "beep,beep,beep,beep", and the digits you input before will be cleared at the same time.

- The user code can not be set the same as the master code and temporary code.

- The time interval during which the button must be pressed is approximately 10 seconds. If the time interval exceeds approximately 10 seconds, the input code will be cleared.
- If you make a mistake when inputting the user code, press the "cancel" button and input the user code again.
- When the "Lockout" function is being activated, the release function is forbidden and the input operation is disabled for 60 seconds at the 10 continuous incorrect access codes are attempted. ("Lockout" function: When "Lockout" is activated, the relay 2 doesn't respond the second lock but responds to the LOCKOUT function. After continuously inputting incorrect access code for 10 times, LOCKOUT output and the relay 2 will be closed for 60 seconds, the LED-relay 2 will be illuminated for 60 seconds) During this time, the buzzer will continuously sound for about 8 times.
- You can activate the electric door strike by pressing the request to exit button connected to the unit. Pressing request to exit button 1 releases relay 1, and pressing request to exit button 2 releases relay 2. (The unlock function will work when the request to exit button is pushed, even while the "Lockout" function is operating.)



- During calling, pressing "cancel" button can cancel the call.
- If input the incorrect access code, the buzzer will give out of beep,beep,beep.a

8. Power Supply Instructions

NAME	DISCRIPTION	USAGE
PS5-24V	Power supply, 85 ~ 260 Vac input, 24 Vdc / 3A output, 10 DIN modules	Connect to multi doorstations or multi monitors (up to 2 or above)
PS4-24V	Power supply, 85 ~ 260 Vac input, 24Vdc / 1A output, for basic kit only, 4 DIN modules	Connect to one doorstation and one monitor(DT16 can be connected two)

9. Precautions

- Please clean the unit with soft cotton cloth, don't use the organic impregnant or chemical cleaning agent. If necessary, please use a little pure water or dilute soap water to clean the dust.
- The unit is weather resistant. However do not spray high pressure water on access control keypad directly. Excessive moisture may cause problems with the unit.
- You must use the right adaptor which is supplied by the manufacture (or approved by the manufacture.)
- Pay attention to the high voltage inside the products, please refer service only to a trained and qualified professional.

10. Specifications

- Lock Power supply : 12 Vdc, 300 mA (Internal Power)
- Power Consumption : 2 W in standby, 8 W in working
- NO, COM dry contact : Max. 48 Vdc 1.5 A
- Camera angle : Max. 72°
- Number of relay circuits : 2
- Mounting : Surface mounting
- Dimension : 176(H) X 90(L) X 23(D) mm
- Working temperature : -10°C ~ 45°C